



IP 20

230V  
50Hz

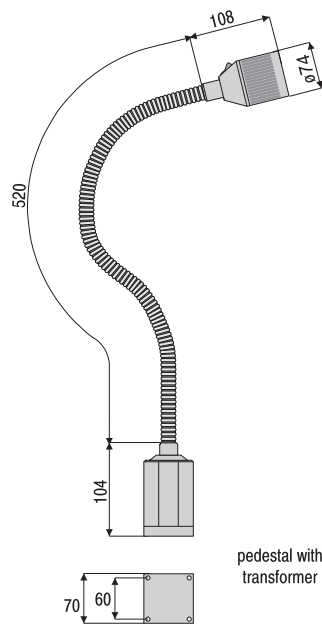


Type	Light source	Light source power / lamp base	Lenght	Pedestal	Weight
TIP 15	halogen lamp	1x20W / G4 1x35W / GY6/35	arm flexible, 500 mm	transformer, 230V / 12V	1 kg

Approvals  
according to the rules of relevant  
classification societies, additional IEC  
Finish  
with flexible arm, switch in lamp head

Colour  
black  
Lamps  
halogen lamp 20W or 35W  
Electric  
230V/ 12V

Mounting  
4 mounting holes  $\varnothing$  4 mm  
Options  
lamp support (Index 31-999-0079)



[mm]

7.02

### OPTIONS

24V

Lamp  
support

Option- lamp support

