

IP 67

max.
240V

R7s



Type	Supply voltage	Light source	Light source power	Lampholder type	Weight
STP 76 - 0200	220 -240 V AC/DC	halogen lamp	max 200 W /114,2 mm/	R 7s	3,3 kg

Application
decks, holds, industrial areas, etc.

Approvals
according to the rules of relevant classification societies, additional IEC

Housing
stainless steel seamless deep drawn, powder coated white

Diffuser
safety glass

Reflector
aluminium anodized

Lamps (not included)
halogen lamp 200W, 114.2mm

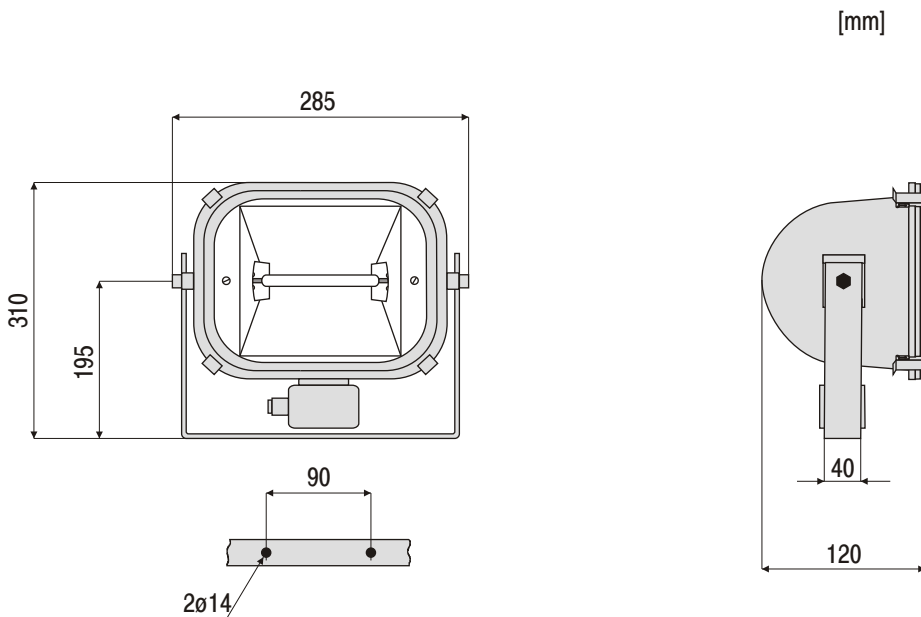
Electric
230V, flexible wiring, high temperature resistant

Cable entry
junction box, 1 cable gland brass, M24x1.5 with earthing insert

Mounting
adjustable bracket, stainless steel, 2 mounting holes, \varnothing 14 mm

Electrical connection
see finish section


1.08

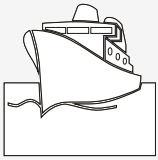


OPTIONS

24V

SC-Glands for screen cable





POLAM-REM S.A.

Floodlight for halogen lamps max 1x200W

STP 76 - 0200

Spare parts for floodlight STP 76-0200

No.	Spare parts	Part-no.
1	Glass mounting kit	101 00 76020
2a	Reflector /230V/	201 00 76020
2b	Reflector /24V/	211 00 76020
3	Lampholder R7s	011 00 76020
4	Stainless steel clamps /cpl./	304 00 76020
5	Bracket stainless steel	401 00 76020
6	Junction box	501 00 76020

1.09