



Type	Light source	Light source power / lamp base	Weight
ELP 33 - 1180	fluorescent lamp	1 x 18 W / G 13	3,0 kg
ELP 33 - 2180		2 x 18 W / G 13	3,4 kg
ELP 33 - 1360		1 x 36 W / G 13	4,2 kg
ELP 33 - 2360		2 x 36 W / G 13	4,7 kg

Application
passage ways, cabins

Approvals
according to the rules of relevant classification societies, additional IEC

Housing
zinc coated steel, powder coated white

Diffuser
polycarbonate opal

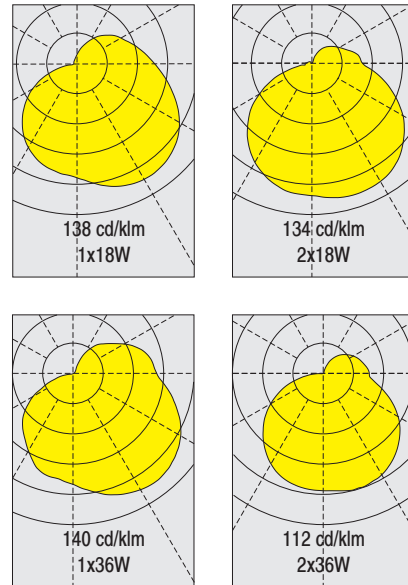
Lamps (not included)
fluorescent lamp 18W/36W

Electric
flexible wiring, heat resistant up to +105°C

Cable entry
4 inlets, cable \varnothing max 11 mm

Mounting
4 mounting holes, \varnothing 5.5 mm

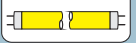
Electrical connection
see finish section



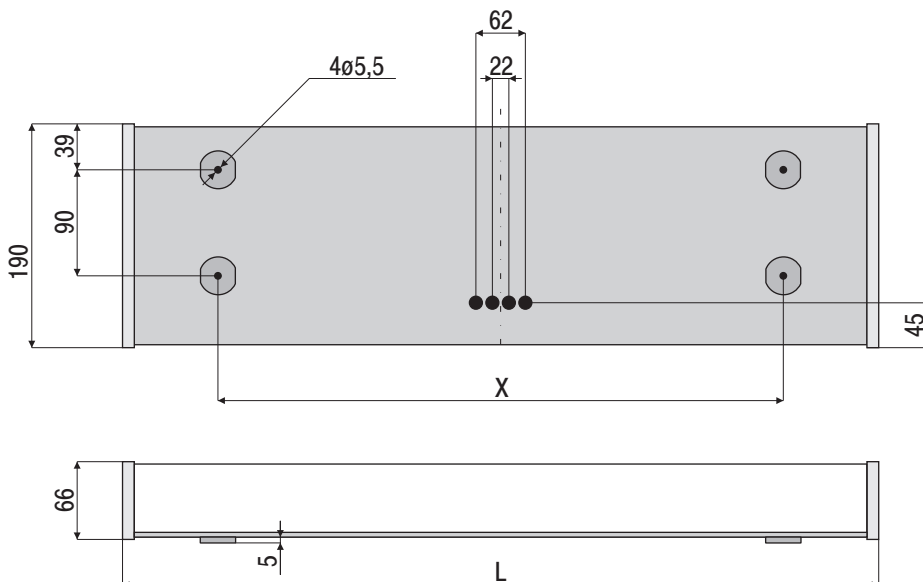
IP 30

230V
50Hz

G13



4.11



[mm]

OPTIONS

220V
60Hz

230V
60Hz

120V
60Hz


240V
50Hz

Electronic Ballast 220V-240V 50Hz-60Hz 220V-240V DC

Dimmable Electronic Ballast 220V-240V 50Hz-60Hz

Battery Backup System 220V-240V 50Hz-60Hz 1h or 3h

Emergency Lampholder B15d 

2 pole on/off switch 

Crystal Diffuser

Type	L	X
ELP 33/2x18W	642	480
ELP 33/2x36W	1252	967

