



Type	Light source	Light source power / lamp base	Weight
DEP 16 - 2180	fluorescent lamp	2 x 18 W / G 13	3,3 kg
DEP 16 - 2360		2 x 36 W / G 13	6,4 kg

**Application**  
passage ways, cabins, lounges, dining rooms, accomodation areas

**Approvals**  
according to the rules of relevant classification societies, additional IEC

**Protection class**  
IP 44 in conjunction with ceiling

**Housing**  
zinc coated steel, powder coated white

**Diffuser**  
polycarbonate, opal

**Lamps (not included)**  
fluorescent lamp 18W/36W

**Electric**  
flexible wiring, heat resistant up to +105°C

**Cable entry**  
4 inlets, cable  $\varnothing$  max 11 mm

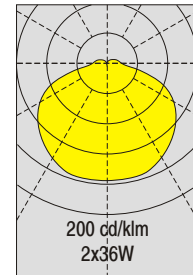
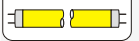
**Mounting**  
4 mounting holes,  $\varnothing$  5.5 mm, cut out  
18W, 635 x 250 mm,  
36W, 1245 x 250 mm

**Electrical connection**  
see finish section

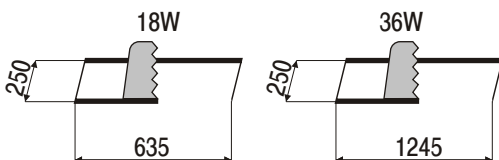
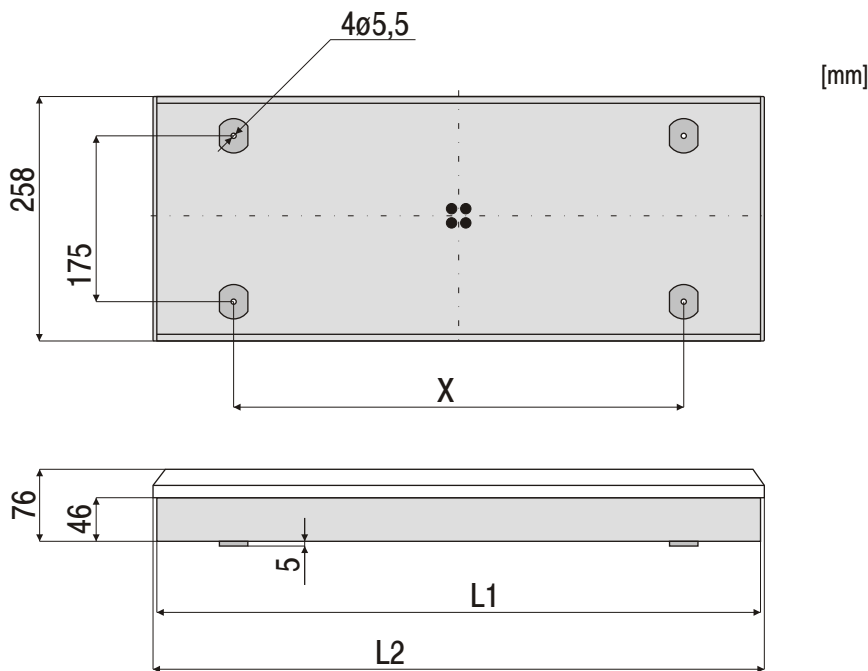
**IP 44**

**230V  
50Hz**

**G13**



**3.05**



Type	L1	L2	X
DEP 16/2x18W	633,5	645	475
DEP 16/2x36W	1243,5	1255	950

## OPTIONS

**220V  
60Hz**

**230V  
60Hz**

**120V  
60Hz**

**240V  
50Hz**

**24V DC**

**Electronic Ballast** 220V-240V 50Hz-60Hz

220V-240V DC

**Dimmable Electronic Ballast** 220V-240V 50Hz-60Hz

**Battery Backup System** 220V-240V 50Hz-60Hz

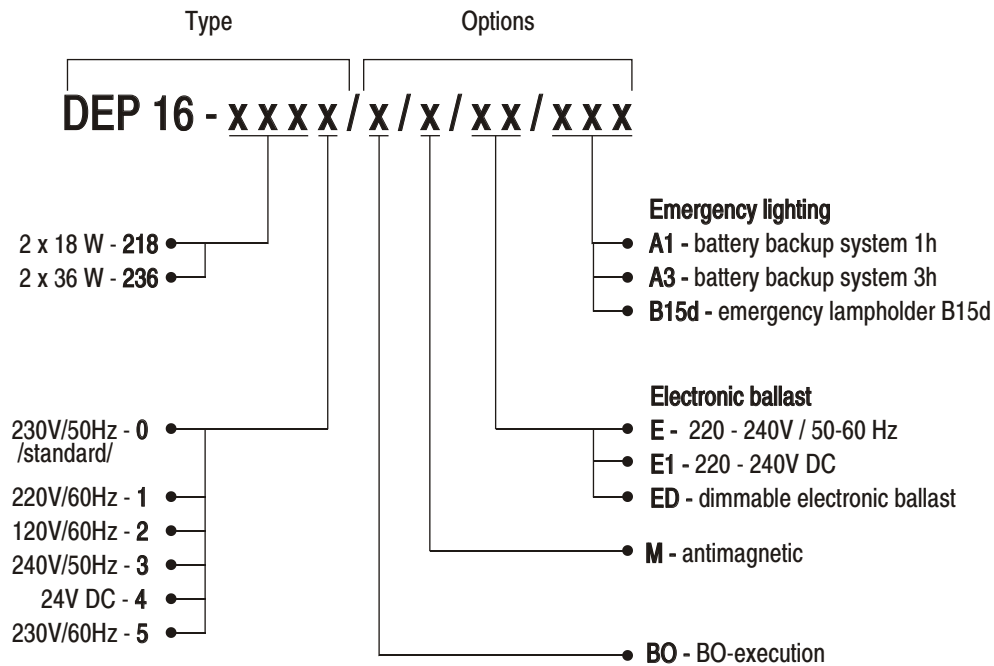
1h or 3h

**Emergency Lampholder B15d**

**Antimagnetic**

**B0 Execution**

## Order Specification



Example of type description

**DEP 16 - 2180** light fitting for two fluorescent lamp 18W with socket G13; supply voltage 230V/50Hz;

**3.06**

**Spare parts for ceiling luminaire DEP 16 - 2180**

No.	Spare parts	Part-no.
1	Diffuser PC, opal	101 00 16218
2	Lampholder G 13 /4 pcs./	014 00 16218
3	Ballast /2 pcs./	032 00 16218
4	Capacitor	021 00 16218

**Spare parts for ceiling luminaire DEP 16 - 2360**

No.	Spare parts	Part-no.
1	Diffuser PC, opal	101 00 16236
2	Lampholder G 13 /4 pcs./	014 00 16236
3	Ballast /2 pcs./	032 00 16236
4	Capacitor	021 00 16236