



IP 20

230V
50Hz

G24d-1


Type	Code	Light source	Light source power / lamp base	Weight
WLP 60 - 2100	660 - 210	tubular compact fluorescent lamp	2 x 10 W / G24d-1	0,8 kg
WLP 60 - 1130	660 - 113	tubular compact fluorescent lamp	1 x 13 W / G24d-1	0,9 kg

Approvals
according to the rules of relevant classification societies, additional IEC

Housing
zinc coated steel, powder coated white

Diffuser
polycarbonate, opal

Lamps (not included)
tubular compact fluorescent lamp 10W/13W

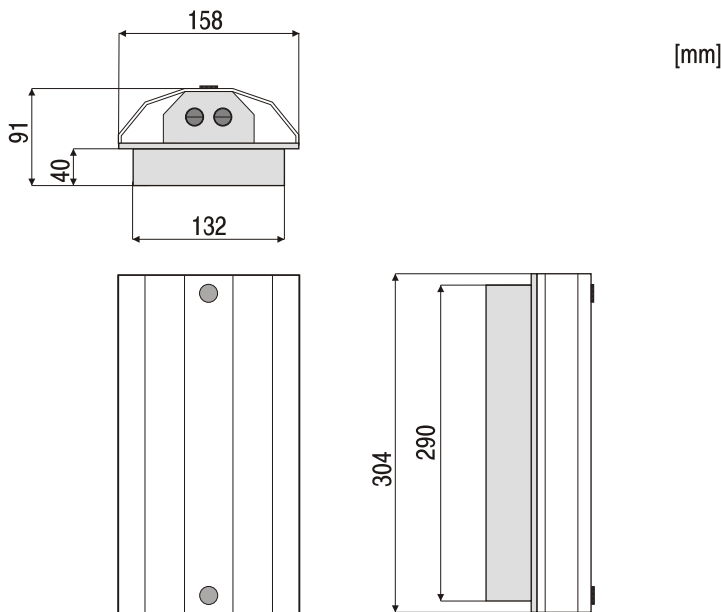
Electric
flexible wiring, heat resistant up to +105°C, switch 2-pole

Cable entry
2 inlet, cable \varnothing max 11 mm

Mounting
4 mounting holes, \varnothing 5 mm

Electrical connection
see finish section

8.05



OPTIONS

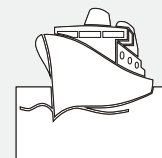
220V
60Hz

230V
60Hz

120V
60Hz

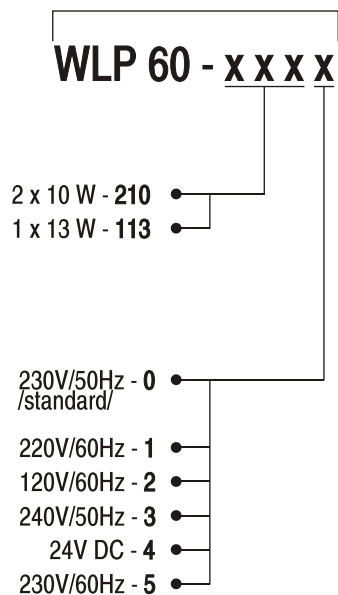
240V
50Hz

 24V DC



Order Specification

Type

Example of type description

WLP 60 - 2100 light fitting for two tubular compact fluorescent lamps 10W with socket G24d-1; supply voltage 230V/50Hz;

8.06