



IP 20

230V
50Hz

G11q

Type	Light source	Light source power / lamp base	Weight
TIP 20 - 1220/K	fluorescent circline lamp	1x22W / G11q	3 kg
TIP 20 - 1220	fluorescent circline lamp	1x22W / G11q	3,1 kg

Approvals
according to the rules of relevant classification societies, additional IEC

Finish
metal construction

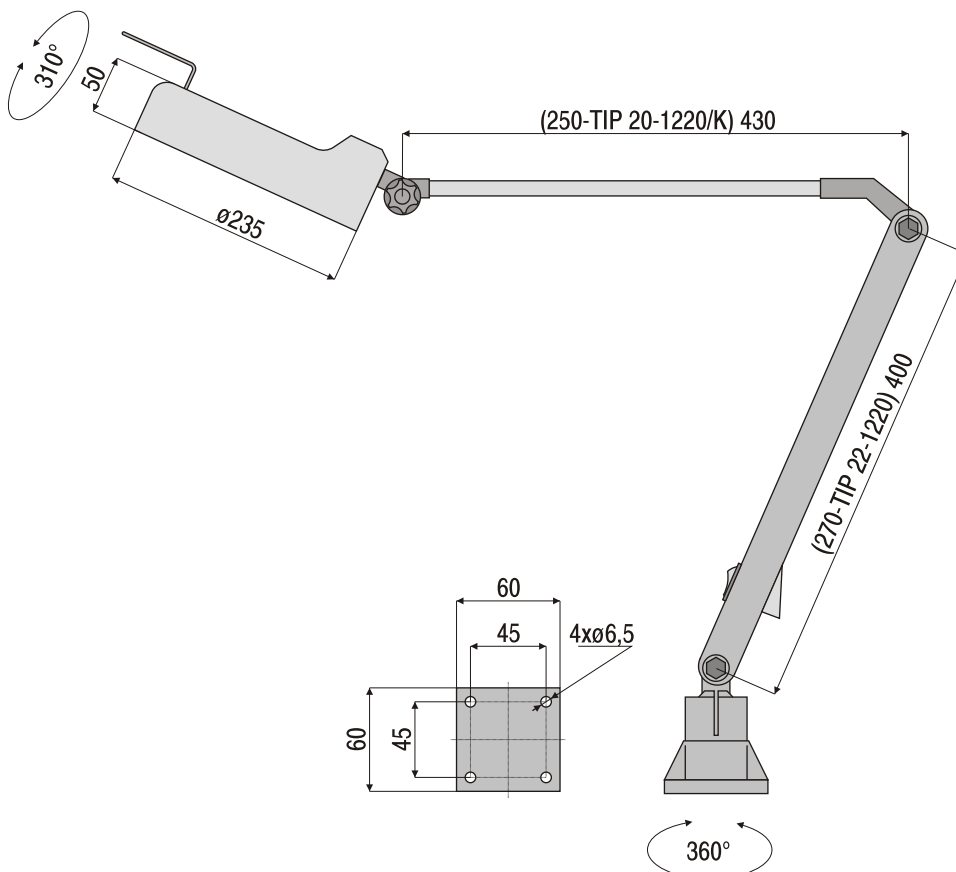
Lens
biconvex glass lens \varnothing 120 mm, 3-diopters (= 1,75x power)
Lamps (not included)
fluorescent circline lamp 22W

Electric
1.5 m. free cable with switch in lamp head

Mounting
with screw down base

[mm]

7.05



OPTIONS

Lamp support

Dimmable version on request