



IP 20

230V
50Hz

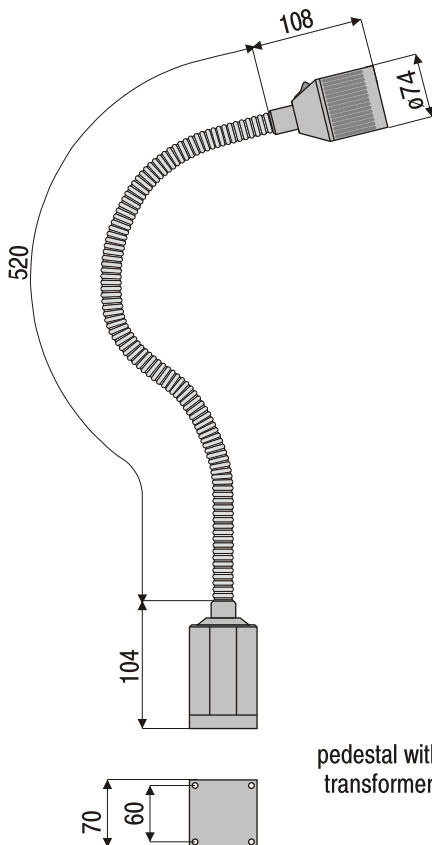


Type	Light source	Light source power / lamp base	Lenght	Pedestal	Weight
TIP 15	halogen lamp	1x20W / G4 1x35W / GY6/35	arm flexible, 500 mm	transformer, 230V / 12V	1 kg

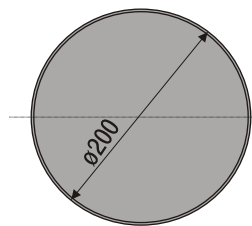
Approvals
according to the rules of relevant
classification societies, additional IEC
Finish
with flexible arm, switch in lamp head

Colour
black
Lamps
halogen lamp 20W or 35W
Electric
230V/ 12V

Mounting
4 mounting holes \varnothing 4 mm
Options
lamp support (Index 31-999-0079)



pedestal with transformer



Option- lamp support

7.03

OPTIONS

24V

Lamp support