

**IP 67**

**E 40**

Type	Light source	Light source power	Lampholder type	Weight
STP 76 - 2400	sodium or metal-halide lamp	2 x 250 W or 2 x 400 W	E 40	11,8 kg

**Application**  
decks, holds, industrial areas, etc.

**Approvals**  
according to the rules  
of relevant classification societies,  
additional IEC

**Housing**  
stainless steel seamless deep drawn,  
powder coated white

**Diffuser**  
safety glass  
**Reflector**  
aluminium anodized  
**Lamps (not included)**  
high pressure sodium (HPS) lamp, metal  
halide (MH) lamp 250W/400W  
**Electric**  
230V, flexible wiring, high temperature  
resistant

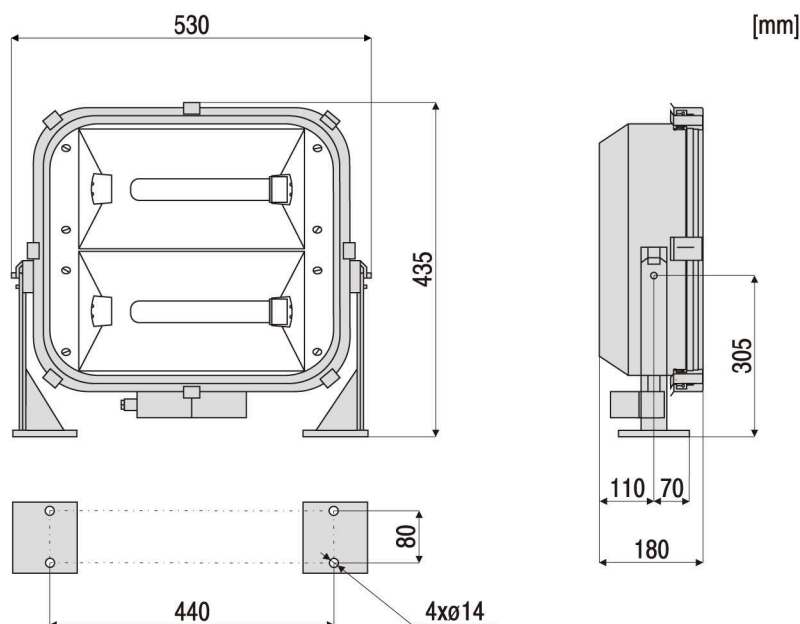
**Cable entry**  
junction box, 2 cable glands brass,  
M24x1.5, with earthing insert

**Mounting**  
adjustable bracket, stainless steel,  
4 mounting holes,  $\varnothing 14$  mm

**Electrical connection**  
see finish section

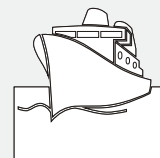
**Remark**  
ballast unit VGP 76 - . . . has  
to be ordered separately

# 1.05



## OPTIONS

SC-Glands  
for screen  
cable

**Spare parts for floodlight STP 76-2400**

No.	Spare parts	Part-no.
1	Glass mounting kit	101 00 76240
2	Reflector wide beam	201 00 76240
3	Lampholder E 40 /2 pcs./	012 00 76240
4	Ignitor /2 pcs./	022 00 76240
5	Stainless steel clamps /cpl./	308 00 76240
6	Bracket stainless steel	402 00 76240
7	Junction box /2 pcs./	502 00 76240

**1.06**