


IP 20

230V
50Hz

G5




Type	Light source	Light source power / lamp base	Weight
HLP 20-1080	fluorescent lamp	1 x 8 W / G 5	2,5 kg
HLP 20-2080		2 x 8 W / G 5	3,2 kg
HLP 20-1210		1 x 21 W / G 5	4,4 kg

Application
emergency light, illuminated sign for passage ways, public areas, etc.

Approvals
according to the rules of relevant classification societies, additional IEC

Housing
zinc coated steel, powder coated white

Sign
PMMA, list of standard pictograms are available, other pictograms on customers request

Lamps (not included)
fluorescent lamp 8W/21W

Electric
flexible wiring, heat resistant up to +105°C

Cable entry
3-pole plug

Mounting
mounting holes, \varnothing 4,5 mm

Electrical connection
see finish section

5.05

OPTIONS

220V
60Hz

230V
60Hz

120V
60Hz

240V
50Hz

24V DC

Electronic Ballast

220V-240V
50Hz-60Hz

220V-240V
DC

Battery Backup System

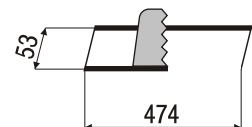
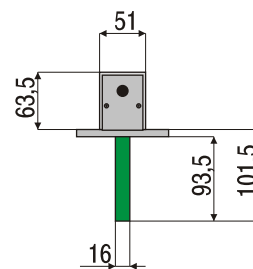
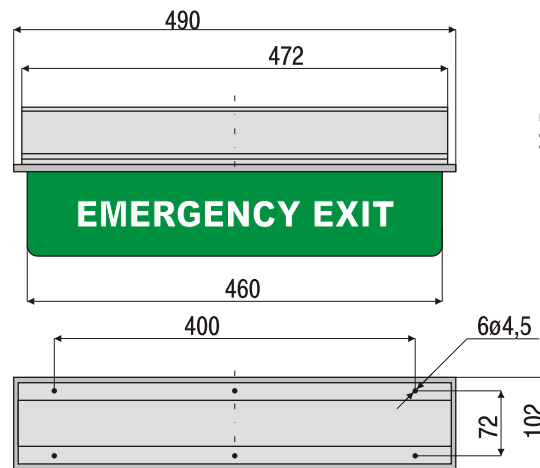
220V-240V
50Hz-60Hz

1h or 3h

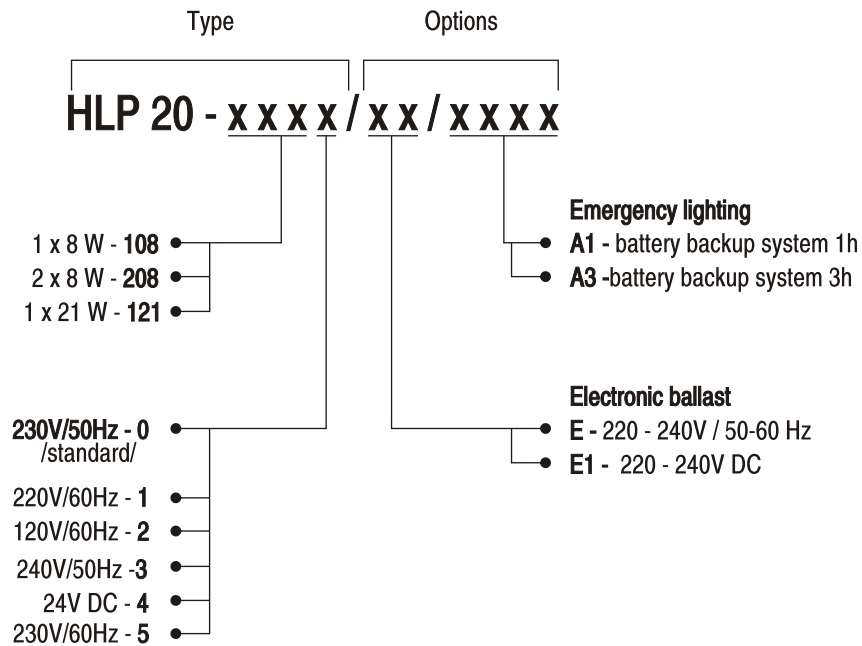
Pictograms on request

HLP 20

[mm]



Order Specification

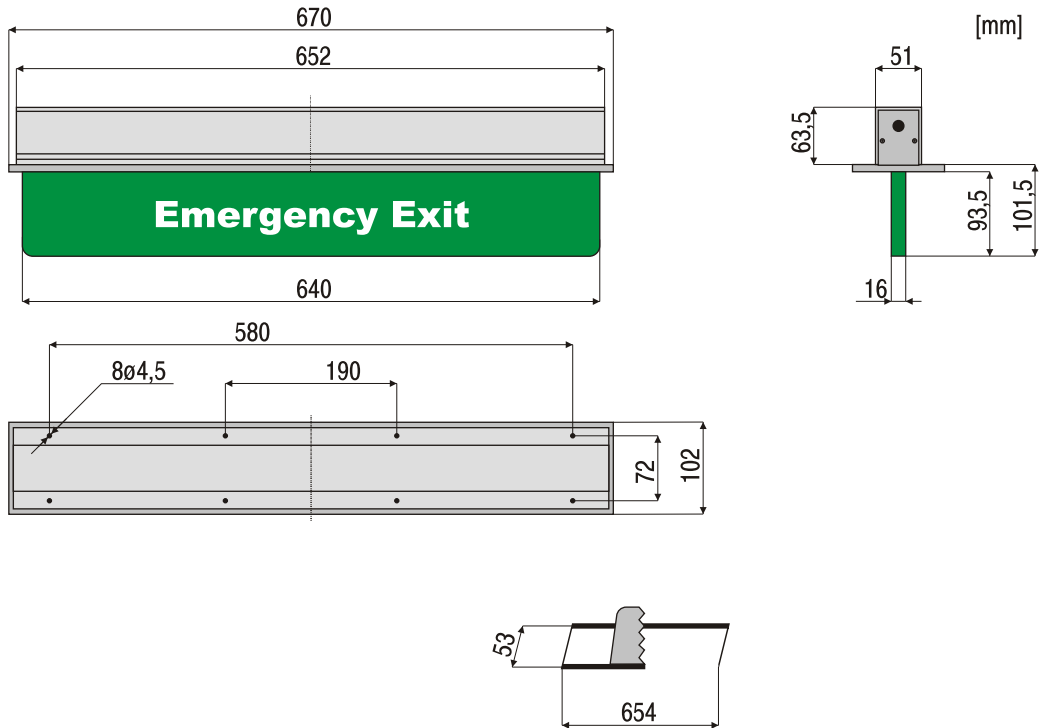


Example of type description

HLP 20-1080/A3 light fitting for one fluorescent lamp 8W with socket G5; supply voltage 230V/50Hz; battery backup system - 3h

5.06

HLP 20-1080/HLP 20-2080



5.07

HLP 20-1210

